

SUMMARY OF D.C. MOTOR

各種産業機械に、特殊電装のD.C.モータ

小型軽量、高性能、高品質、多機種、多用途

TOKUSHUDENSO D.C. Motors for Various Industry Machines. Small-Sized and Lightweight, High Performance, High Quality, and Versatile Motor.



特長

- 1.用途に応じた設計ができる様にモータ外径φ40からφ140まで、出力2Wから1kWまで各種シリーズ揃えております。
- 2.取付方法もフランジタイプ、ステータタイプと各種揃えております。
- 3.界磁にマグネット（永久磁石）を使用していますのでイナーシャが少なく起動停止の応答性に優れています。
- 4.小型軽量で高トルクを出せますので産業機器、ロボット等、広範囲にわたりご使用いただいております。
- 5.電源の電圧を可変するだけで簡単に回転速度を変化させられます。
- 6.長年の実績から、性能、品質共に安定しており、安心してご使用いただけます。
- 7.定格電圧はD.C. 12V、24Vが標準ですが他の電圧仕様もご希望により製作致しております。
- 8.回転制御用にモータ仕様に合わせたコントローラも製作しておりますのでお問い合わせ下さい。

注意事項

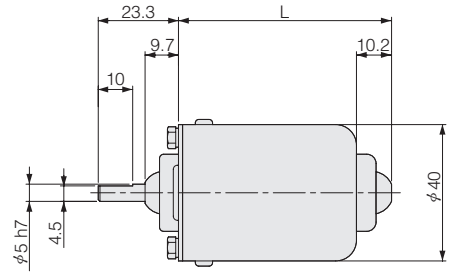
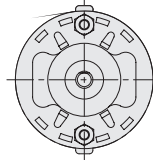
- 1.電源は純直流(電池電源)を標準としております。整流電源等のリップルの多い電源を使用する場合はモータの特性、振動、騒音、耐久及び温度上昇に影響しますので定格トルクの60%以下で使用するかリップルを取る回路を入れてご使用下さい。
- 2.出力軸トルクは最大許容トルクを示します。変動負荷及び起動トルクの大きい場合、又は連続使用で耐久性を必要とする場合はランクが上の機種を選定して下さい。
- 3.回転方向は正逆両用ですから、リード線又は端子の極性を逆に接続すれば逆回転致します。但し、急速な正逆転は避ける様設計して下さい。
- 4.一方向回転専用でお使いになりたい場合には回転方向をご指定下さい。但し、一方向に設定したモータの場合は極性を間違えて逆回転に接続しますと、温度上昇、耐久性に影響し、事故につながる場合がありますのでご注意下さい。
- 5.モータの極性はカタログの図中で示す以外は、原則として以下の通りとなっています。
リード線タイプ : +側 青色又は赤色 -側 黒色
端子タイプ : +側 右側 -側 左側
- 6.D.C. 48V以上の高い電圧仕様のもは安全上からモータケースにアースをとってご使用下さい。
- 7.形状、寸法等は簡易寸法を記入してあります。又、予告なく変更することもあります。

D.C. MOTOR

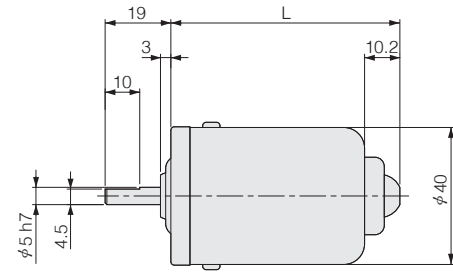
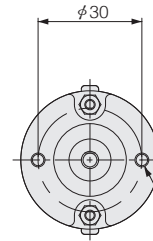
TD2683 • TD2585 • TD2764



S - TYPE



M - TYPE

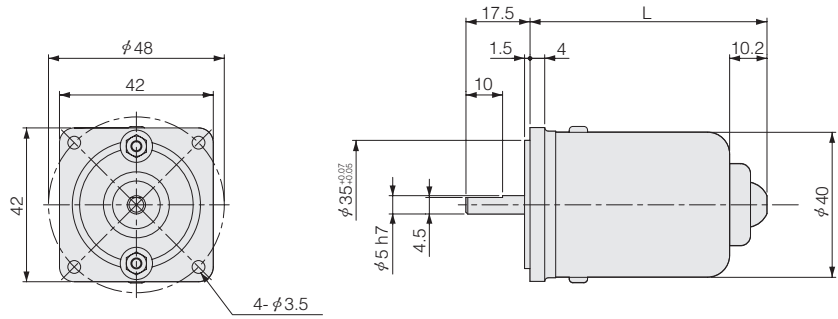


2-M4
この取付面より4mm以上ネジを入れないこと

| Part No. | Voltage | Torque | | Current Amp | Speed r/min | Output Watts | Duty | Length-L (mm) | | Mass g |
|--------------------|---------|--------|------|----------------|----------------|-----------------|-------|---------------|--------|-----------|
| | | gf·cm | mN·m | | | | | S-Type | M-Type | |
| TD2683S TD2683M | 12 | 100 | 9.8 | 0.44 | 2000 | 2.1 | Cont. | 58.9 | 63.2 | 220 |
| | | | | 0.52 | 2500 | 2.6 | | | | |
| | | | | 0.60 | 3000 | 3.1 | | | | |
| | | | | 0.68 | 3500 | 3.6 | | | | |
| | | | | 0.76 | 4000 | 4.1 | | | | |
| | 24 | | | 0.22 | 2000 | 2.1 | | | | |
| | | | | 0.26 | 2500 | 2.6 | | | | |
| | | | | 0.30 | 3000 | 3.1 | | | | |
| | | | | 0.34 | 3500 | 3.6 | | | | |
| | | | | 0.38 | 4000 | 4.1 | | | | |
| TD2585S TD2585M | 12 | 150 | 14.7 | 0.54 | 2000 | 3.1 | Cont. | 61.9 | 66.2 | 230 |
| | | | | 0.65 | 2500 | 3.9 | | | | |
| | | | | 0.74 | 3000 | 4.6 | | | | |
| | | | | 0.85 | 3500 | 5.4 | | | | |
| | | | | 0.96 | 4000 | 6.2 | | | | |
| | 24 | | | 0.27 | 2000 | 3.1 | | | | |
| | | | | 0.33 | 2500 | 3.9 | | | | |
| | | | | 0.37 | 3000 | 4.6 | | | | |
| | | | | 0.42 | 3500 | 5.4 | | | | |
| | | | | 0.48 | 4000 | 6.2 | | | | |
| TD2764S TD2764M | 12 | 220 | 21.6 | 0.75 | 2000 | 4.5 | Cont. | 71.9 | 76.2 | 300 |
| | | | | 0.92 | 2500 | 5.6 | | | | |
| | | | | 1.07 | 3000 | 6.8 | | | | |
| | | | | 1.22 | 3500 | 7.9 | | | | |
| | | | | 1.37 | 4000 | 9.0 | | | | |
| | 24 | | | 0.38 | 2000 | 4.5 | | | | |
| | | | | 0.46 | 2500 | 5.6 | | | | |
| | | | | 0.53 | 3000 | 6.8 | | | | |
| | | | | 0.61 | 3500 | 7.9 | | | | |
| | | | | 0.68 | 4000 | 9.0 | | | | |

D.C. MOTOR

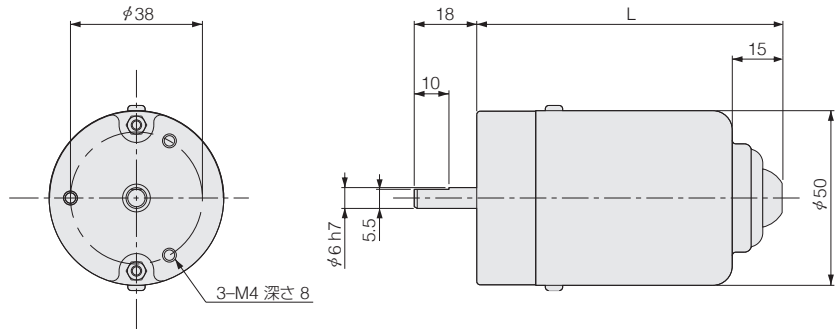
TD2683F • TD2585F • TD2764F



| Part No. | Voltage | Torque | | Current Amp | Speed r/min | Output Watts | Duty | Length-L mm | Mass g |
|----------|---------|--------|------|----------------|----------------|-----------------|-------|----------------|-----------|
| | | gf·cm | mN·m | | | | | | |
| TD2683F | 12 | 100 | 9.8 | 0.39 | 2000 | 2.1 | Cont. | 64.7 | 220 |
| | | | | 0.47 | 2500 | 2.6 | | | |
| | | | | 0.56 | 3000 | 3.1 | | | |
| | | | | 0.64 | 3500 | 3.6 | | | |
| | | | | 0.71 | 4000 | 4.1 | | | |
| | 24 | | | 0.20 | 2000 | 2.1 | | | |
| | | | | 0.24 | 2500 | 2.6 | | | |
| | | | | 0.28 | 3000 | 3.1 | | | |
| | | | | 0.32 | 3500 | 3.6 | | | |
| | | | | 0.36 | 4000 | 4.1 | | | |
| TD2585F | 12 | 150 | 14.7 | 0.50 | 2000 | 3.1 | Cont. | 67.7 | 230 |
| | | | | 0.63 | 2500 | 3.9 | | | |
| | | | | 0.74 | 3000 | 4.6 | | | |
| | | | | 0.86 | 3500 | 5.4 | | | |
| | | | | 0.97 | 4000 | 6.2 | | | |
| | 24 | | | 0.26 | 2000 | 3.1 | | | |
| | | | | 0.32 | 2500 | 3.9 | | | |
| | | | | 0.37 | 3000 | 4.6 | | | |
| | | | | 0.43 | 3500 | 5.4 | | | |
| | | | | 0.48 | 4000 | 6.2 | | | |
| TD2764F | 12 | 220 | 21.6 | 0.69 | 2000 | 4.5 | Cont. | 77.7 | 300 |
| | | | | 0.86 | 2500 | 5.6 | | | |
| | | | | 1.03 | 3000 | 6.8 | | | |
| | | | | 1.20 | 3500 | 7.9 | | | |
| | | | | 1.34 | 4000 | 9.0 | | | |
| | 24 | | | 0.35 | 2000 | 4.5 | | | |
| | | | | 0.43 | 2500 | 5.6 | | | |
| | | | | 0.52 | 3000 | 6.8 | | | |
| | | | | 0.60 | 3500 | 7.9 | | | |
| | | | | 0.67 | 4000 | 9.0 | | | |

D.C. MOTOR

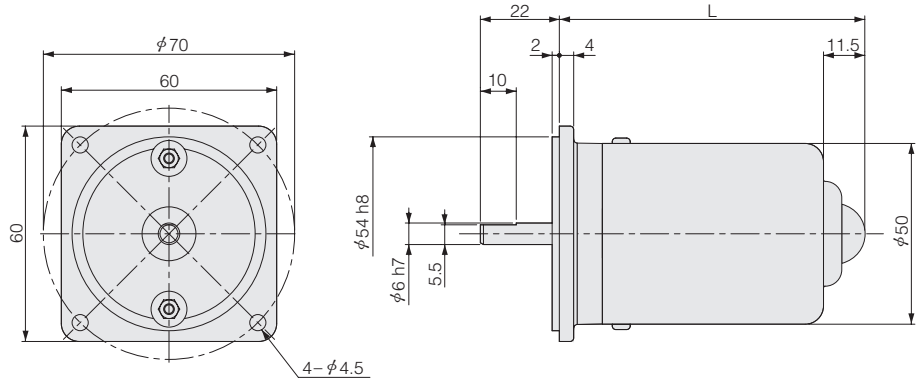
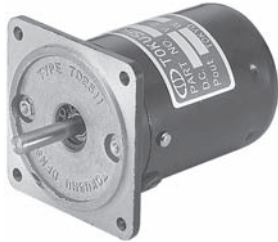
TD2447N



| Part No. | Voltage | Torque | | Current Amp | Speed r/min | Output Watts | Duty | Length-L mm | Mass g | | | |
|----------|---------|--------|------|----------------|----------------|-----------------|-------|----------------|-----------|-----|------|-----|
| | | gf·cm | mN·m | | | | | | | | | |
| TD2447N | 12 | 250 | 24.5 | 1.2 | 2000 | 5.1 | Cont. | 88.5 | 470 | | | |
| | | | | 1.3 | 2200 | 5.6 | | | | | | |
| | | | | 1.4 | 2400 | 6.2 | | | | | | |
| | | | | 1.5 | 2600 | 6.7 | | | | | | |
| | | | | 1.6 | 2800 | 7.2 | | | | | | |
| | | | | 1.6 | 3000 | 7.7 | | | | | | |
| | | | | 1.7 | 3200 | 8.2 | | | | | | |
| | 24 | 250 | 24.5 | 0.6 | 2000 | 5.1 | | | | | | |
| | | | | 0.6 | 2200 | 5.6 | | | | | | |
| | | | | 0.7 | 2400 | 6.2 | | | | | | |
| | | | | 0.7 | 2600 | 6.7 | | | | | | |
| | | | | 0.8 | 2800 | 7.2 | | | | | | |
| | | | | 0.8 | 3000 | 7.7 | | | | | | |
| | | | | 0.8 | 3200 | 8.2 | | | | | | |
| | 12 | 300 | 29.4 | 1.2 | 2000 | 6.2 | | | | | | |
| | | | | 1.3 | 2200 | 6.8 | | | | | | |
| | | | | 1.4 | 2400 | 7.4 | | | | | | |
| | | | | 1.5 | 2600 | 8.0 | | | | | | |
| | | | | 1.6 | 2800 | 8.6 | | | | | | |
| | | | | 1.6 | 3000 | 9.2 | | | | | | |
| | | | | 1.7 | 3200 | 9.9 | | | | | | |
| | | | | 24 | 300 | 29.4 | | | | 0.6 | 2000 | 6.2 |
| | | | | | | | | | | 0.6 | 2200 | 6.8 |
| | | | | | | | | | | 0.7 | 2400 | 7.4 |
| 0.7 | 2600 | 8.0 | | | | | | | | | | |
| 0.8 | 2800 | 8.6 | | | | | | | | | | |
| 0.8 | 3000 | 9.2 | | | | | | | | | | |

D.C. MOTOR

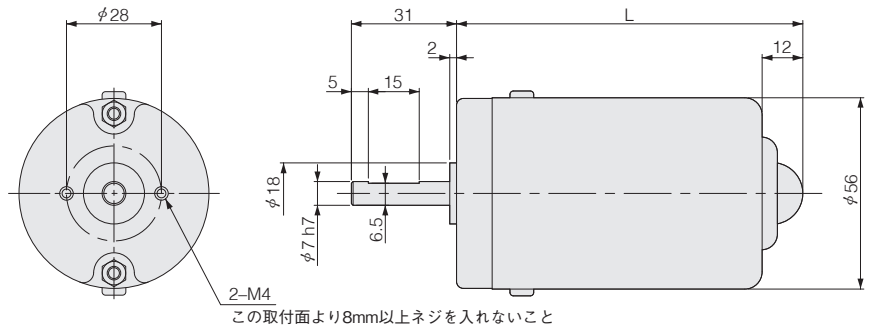
TD2511M



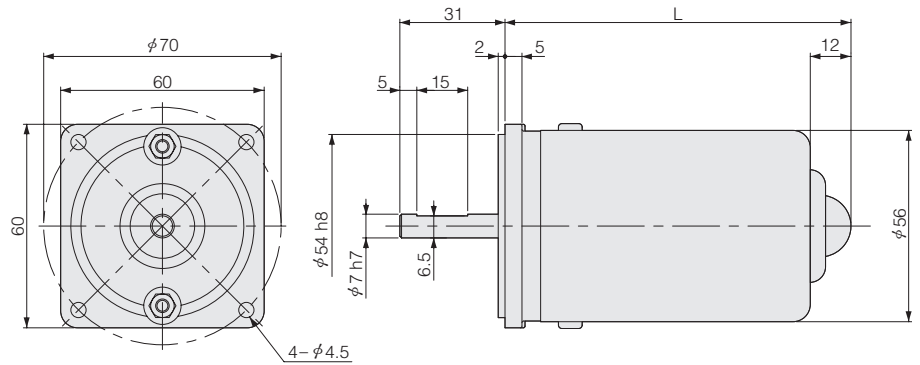
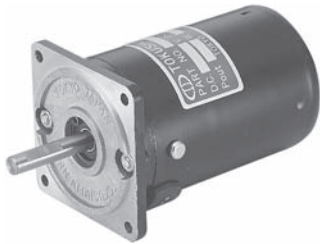
| Part No. | Voltage | Torque | | Current Amp | Speed r/min | Output Watts | Duty | Length-L mm | Mass g |
|----------|---------|--------|------|----------------|----------------|-----------------|-------|----------------|-----------|
| | | gf·cm | mN·m | | | | | | |
| TD2511M | 12 | 250 | 24.5 | 0.71 | 1500 | 3.9 | Cont. | 85 | 450 |
| | | | | 0.83 | 1750 | 4.5 | | | |
| | | | | 0.93 | 2000 | 5.1 | | | |
| | | | | 1.16 | 2500 | 6.4 | | | |
| | | | | 1.37 | 3000 | 7.7 | | | |
| | | | | 1.59 | 3500 | 9.0 | | | |
| | 24 | | | 0.35 | 1500 | 3.9 | | | |
| | | | | 0.41 | 1750 | 4.5 | | | |
| | | | | 0.46 | 2000 | 5.1 | | | |
| | | | | 0.58 | 2500 | 6.4 | | | |
| | | | | 0.67 | 3000 | 7.7 | | | |
| | | | | 0.78 | 3500 | 9.0 | | | |
| | 12 | 300 | 29.4 | 0.80 | 1500 | 4.6 | | | |
| | | | | 0.94 | 1750 | 5.4 | | | |
| | | | | 1.05 | 2000 | 6.2 | | | |
| | | | | 1.31 | 2500 | 7.7 | | | |
| | | | | 1.54 | 3000 | 9.2 | | | |
| | | | | 1.80 | 3500 | 10.8 | | | |
| | | | | 2.05 | 4000 | 12.3 | | | |
| | | | | 24 | 0.39 | 1500 | | | |
| 0.46 | | | | | 1750 | 5.4 | | | |
| 0.51 | | | | | 2000 | 6.2 | | | |
| 0.64 | | | | | 2500 | 7.7 | | | |
| 0.76 | | | | | 3000 | 9.2 | | | |
| 0.88 | | | | | 3500 | 10.8 | | | |
| 1.01 | | | | | 4000 | 12.3 | | | |

D.C. MOTOR

TD2541



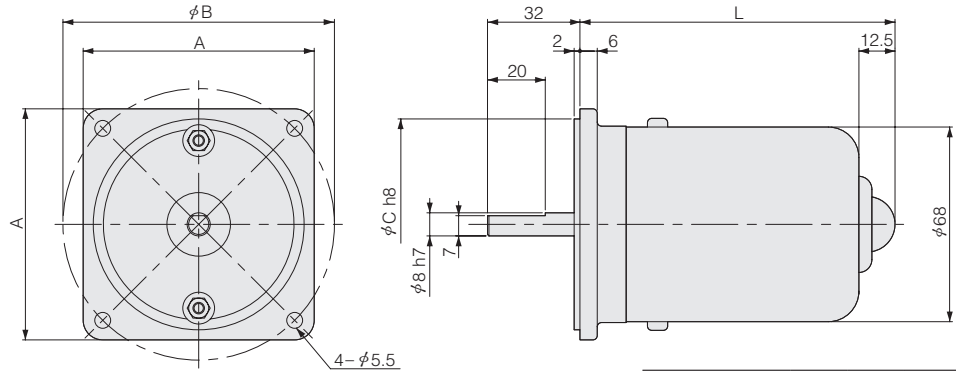
TD2586



| Part No. | Voltage | Torque | | Current Amp | Speed r/min | Output Watts | Length-L mm | Duty | Mass (kg) | |
|--------------------|---------|--------|------|----------------|----------------|-----------------|----------------|-------|-----------|--------|
| | | gf·cm | mN·m | | | | | | TD2541 | TD2586 |
| TD2541Z TD2586Z | 12 | 750 | 73.6 | 2.4 | 2000 | 15.4 | 102 | Cont. | 0.72 | 0.73 |
| | | | | 2.9 | 2500 | 19.3 | | | | |
| | | | | 3.5 | 3000 | 23.1 | | | | |
| | 24 | | | 1.2 | 2000 | 15.4 | | | | |
| | | | | 1.5 | 2500 | 19.3 | | | | |
| | | | | 1.8 | 3000 | 23.1 | | | | |
| TD2541M TD2586M | 12 | 900 | 88.3 | 2.1 | 1500 | 13.9 | | | | |
| | | | | 2.4 | 1750 | 16.2 | | | | |
| | | | | 3.4 | 2500 | 23.1 | | | | |
| | | | | 4.0 | 3000 | 27.7 | | | | |
| | | | | 4.6 | 3500 | 32.4 | | | | |
| | 24 | | | 1.1 | 1500 | 13.9 | | | | |
| | | | | 1.2 | 1750 | 16.2 | | | | |
| | | | | 1.7 | 2500 | 23.1 | | | | |
| | | | | 2.0 | 3000 | 27.7 | | | | |
| | | | | 2.3 | 3500 | 32.4 | | | | |

D.C. MOTOR

TD2722 • TD2444



| Part No. | A | B | C |
|----------|----|----|----|
| TD2722 | 70 | 82 | 64 |
| TD2444 | 80 | 94 | 73 |

| Part No. | Voltage | Torque | | Current Amp | Speed r/min | Output Watts | Duty | Length-L mm | Mass (kg) | | | |
|--------------------|---------|--------|------|----------------|----------------|-----------------|-------|----------------|-----------|--------|------|-----|
| | | kgf·cm | mN·m | | | | | | TD2722 | TD2444 | | |
| TD2722M TD2444M | 12 | 1.0 | 98 | 2.2 | 1500 | 15.4 | Cont. | 109 | 0.95 | 1.0 | | |
| | | | | 2.5 | 1750 | 18.0 | | | | | | |
| | | | | 2.8 | 2000 | 20.5 | | | | | | |
| | | | | 3.6 | 2500 | 25.7 | | | | | | |
| | | | | 4.2 | 3000 | 30.8 | | | | | | |
| | | | | 1.1 | 1500 | 15.4 | | | | | | |
| | 24 | 1.3 | 1750 | 18.0 | | | | | | | | |
| | | 1.4 | 2000 | 20.5 | | | | | | | | |
| | | 1.8 | 2500 | 25.7 | | | | | | | | |
| | | 2.1 | 3000 | 30.8 | | | | | | | | |
| | | 12 | 1.5 | 147 | 3.1 | 1500 | | | | | 23.1 | 1hr |
| | | | | | 3.6 | 1750 | | | | | 27.0 | |
| 4.0 | 2000 | | | | 30.8 | | | | | | | |
| 4.9 | 2500 | | | | 38.5 | | | | | | | |
| 5.8 | 3000 | | | | 46.2 | | | | | | | |
| 1.6 | 1500 | | | | 23.1 | | | | | | | |
| 24 | 1.8 | 1750 | 27.0 | | | | | | | | | |
| | 2.0 | 2000 | 30.8 | | | | | | | | | |
| | 2.5 | 2500 | 38.5 | | | | | | | | | |
| | 2.9 | 3000 | 46.2 | | | | | | | | | |
| | 12 | 1.2 | 118 | 3.4 | 2000 | 25.0 | Cont. | | | | | |
| | | | | 1.7 | | | | | | | | |
| TD2722H TD2444H | 12 | 2.5 | 245 | 5.2 | 1500 | 38.5 | 1/2hr | 119 | 1.15 | 1.2 | | |
| | | | | 6.0 | 1750 | 44.9 | | | | | | |
| | | | | 6.7 | 2000 | 51.4 | | | | | | |
| | | | | 8.2 | 2500 | 64.2 | | | | | | |
| | | | | 9.7 | 3000 | 77.0 | | | | | | |
| | | | | 2.6 | 1500 | 38.5 | | | | | | |
| | 24 | 3.0 | 1750 | 44.9 | | | | | | | | |
| | | 3.4 | 2000 | 51.4 | | | | | | | | |
| | | 4.1 | 2500 | 64.2 | | | | | | | | |
| | | 4.9 | 3000 | 77.0 | | | | | | | | |

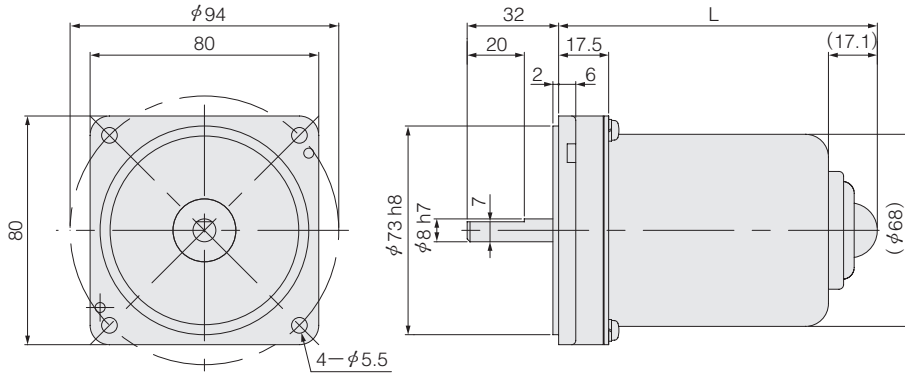
D.C. MOTOR

TD3332 • TD3338



● 特 徴

- 高電圧対応可能… DC100V、DC230V（耐電圧 AC2000V 保証／初期値）
- 過負荷（モータロック）保護素子内蔵可能



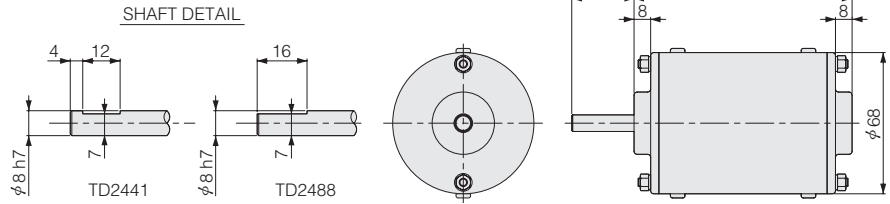
| Part No. | Voltage | Torque | | Current Amp | Speed r/min | Output Watts | Duty | Length-L mm | Mass kg |
|----------|---------|--------|------|----------------|----------------|-----------------|-------|----------------|------------|
| | | kgf·cm | mN·m | | | | | | |
| TD3332 | -512 | 12 | 98 | 2.50 | 2000 | 21 | Cont. | 111.5 | 1.0 |
| | -524 | 24 | | 1.25 | | | | | |
| | -100 | 100 | | 0.30 | | | | | |
| | -230 | 230 | | 0.13 | | | | | |
| TD3338 | -512 | 12 | 147 | 3.70 | 2000 | 31 | Cont. | 121.5 | 1.1 |
| | -524 | 24 | | 1.85 | | | | | |
| | -100 | 100 | | 0.45 | | | | | |
| | -230 | 230 | | 0.20 | | | | | |

MP 量産対応品です。数量については別途ご相談ください。

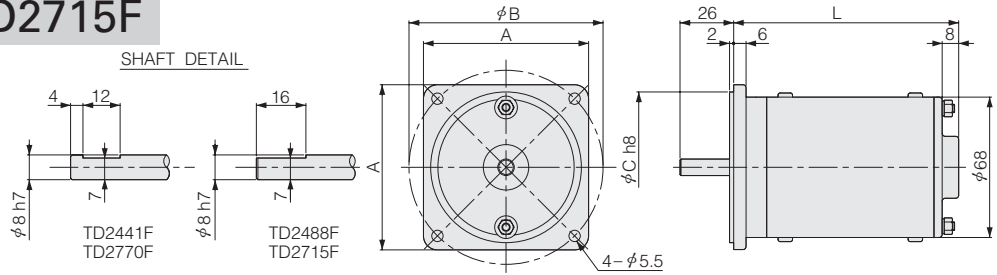
MP=Mass Production type. Please give us an inquiry about minimum quantity.

D.C. MOTOR

TD2441 • TD2488



TD2441F • TD2770F TD2488F • TD2715F



| Part No. | A | B | C |
|-----------------|----|----|----|
| TD2441F,TD2488F | 70 | 82 | 64 |
| TD2770F,TD2715F | 80 | 94 | 73 |

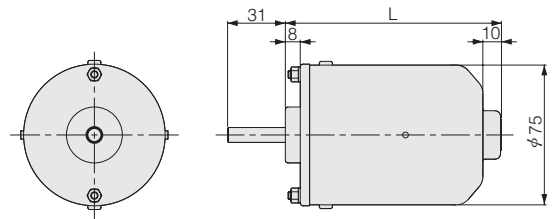
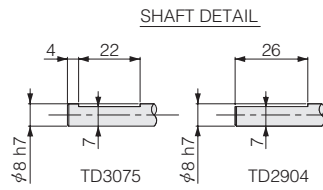
| Part No. | Voltage | Torque | | Current Amp | Speed r/min | Output Watts | Duty | Length-L | Mass | | |
|------------------------------|---------|--------|------|----------------|----------------|-----------------|-------|--|------|------|----|
| | | kgf•cm | mN•m | | | | | mm | kg | | |
| TD2441 TD2441F TD2770F | 12 | 2.0 | 196 | 3.9 | 1500 | 31 | Cont. | TD2441 : 105 TD2441F : 109 TD2770F : 109 | 1.1 | | |
| | | | | 4.9 | 1900 | 39 | | | | | |
| | | | | 5.8 | 2300 | 47 | | | | | |
| | | 24 | 1.8 | 177 | 5.8 | 2550 | | | | 47 | |
| | | | | | 6.6 | 2900 | | | | 54 | |
| | | | | | 7.1 | 3200 | | | | 59 | |
| | 2.0 | | 196 | 196 | 1.9 | 1500 | | | | 31 | |
| | | | | | 2.4 | 1900 | | | | 39 | |
| | | | | | 2.9 | 2300 | | | | 47 | |
| | | 1.8 | 177 | 177 | 2.8 | 2550 | | | | 47 | |
| | | | | | 3.2 | 2900 | | | | 54 | |
| | | | | | 3.5 | 3200 | | | | 59 | |
| TD2488 TD2488F TD2715F | 12 | 2.7 | 265 | 5.5 | 1600 | 44 | Cont. | TD2488 : 115 TD2488F : 119 TD2715F : 119 | 1.3 | | |
| | | | | 2.5 | 245 | 6.8 | | | | 2000 | 55 |
| | | | | | | 7.1 | | | | 2100 | 58 |
| | | 7.1 | 2300 | | | 59 | | | | | |
| | | 7.8 | 2500 | | | 64 | | | | | |
| | | 8.6 | 2800 | | | 72 | | | | | |
| | | 9.5 | 3100 | | | 80 | | | | | |
| | | 24 | 2.7 | 265 | 265 | 2.7 | | | | 1600 | 44 |
| | | | | | | 3.4 | | | | 2000 | 55 |
| | 3.5 | | | | | 2100 | | | | 58 | |
| | 2.5 | | 245 | 245 | 3.5 | 2300 | | | | 59 | |
| | | | | | 3.9 | 2500 | | | | 64 | |
| | | | | | 4.3 | 2800 | | | | 72 | |
| | | | | | 4.7 | 3100 | | | | 80 | |
| | | | | | 4.7 | 3100 | | | | 80 | |

ブレーキ付の製品も製作致します。

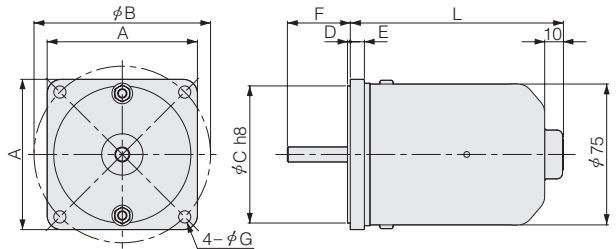
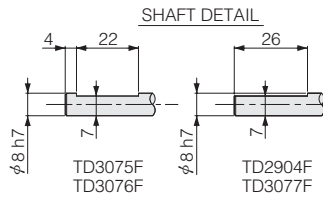
We produce the product which built in electromagnetic brakes.

D.C. MOTOR

TD3075 • TD2904



TD3075F • TD3076F
TD2904F • TD3077F



| Part No. | A | B | C | D | E | F | G |
|-----------------|----|-----|----|-----|-----|------|-----|
| TD3075F,TD2904F | 80 | 94 | 73 | 1.5 | 7.5 | 33.5 | 5.5 |
| TD3076F,TD3077F | 90 | 104 | 83 | 2 | 8 | 34 | 6.5 |

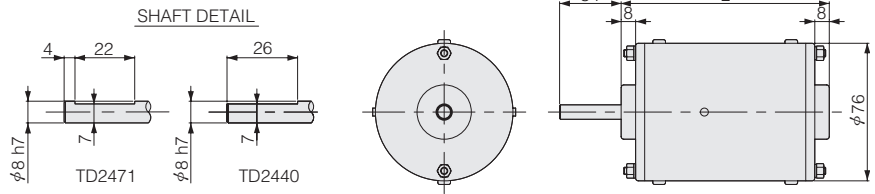
| Part No. | Voltage | Torque | | Current Amp | Speed r/min | Output Watts | Duty | Length-L | Mass |
|------------------------------|---------|--------|------|----------------|----------------|-----------------|-------|--|------|
| | | kgf·cm | mN·m | | | | | mm | kg |
| TD3075 TD3075F TD3076F | 12 | 2.7 | 265 | 5.4 | 1600 | 44 | Cont. | TD3075 : 116 TD3075F : 113.5 TD3076F : 113 | 1.3 |
| | | | | 6.0 | 1800 | 50 | | | |
| | | | | 6.7 | 2000 | 55 | | | |
| | | 7.4 | 2200 | 61 | | | | | |
| | | 2.4 | 235 | 7.8 | 2650 | 65 | | | |
| | | | | 9.4 | 3200 | 79 | | | |
| | 24 | 2.7 | 265 | 2.7 | 1600 | 44 | | | |
| | | | | 3.0 | 1800 | 50 | | | |
| | | | | 3.4 | 2000 | 55 | | | |
| | | | | 3.7 | 2200 | 61 | | | |
| | | 2.4 | 235 | 3.9 | 2650 | 65 | | | |
| | | | | 4.7 | 3200 | 79 | | | |
| | | | | 4.9 | 3400 | 84 | | | |
| | | | | | | 84 | | | |
| TD2904 TD2904F TD3077F | 12 | 3.5 | 343 | 6.4 | 1500 | 54 | Cont. | TD2904 : 126 TD2904F : 123.5 TD3077F : 123 | 1.5 |
| | | | | 7.3 | 1700 | 61 | | | |
| | | | | 8.3 | 1950 | 70 | | | |
| | | 3.2 | 314 | 8.9 | 2300 | 76 | | | |
| | | | | 9.8 | 2550 | 84 | | | |
| | | 24 | 3.5 | 343 | 3.2 | 1500 | | | |
| | 3.7 | | | | 1700 | 61 | | | |
| | 4.2 | | | | 1950 | 70 | | | |
| | 4.5 | | | | 2300 | 76 | | | |
| | 3.2 | | 314 | 4.9 | 2550 | 84 | | | |
| | | | | 5.3 | 2750 | 90 | | | |
| | | | | | | 90 | | | |

MP 量産対応品です。数量については別途ご相談ください。

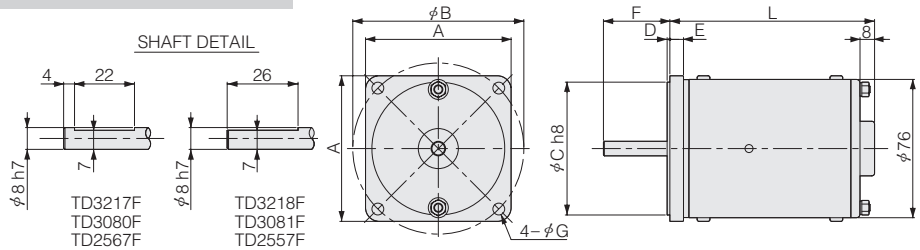
MP=Mass Production type. Please give us an inquiry about minimum quantity.

D.C. MOTOR

TD2471 • TD2440



TD3217F • TD3080F • TD2567F TD3218F • TD3081F • TD2557F



| Part No. | A | B | C | D | E | F | G |
|-----------------|-----|-----|----|-----|-----|------|-----|
| TD3217F,TD3218F | 80 | 94 | 73 | 1.5 | 7.5 | 36.5 | 5.5 |
| TD3080F,TD3081F | 90 | 104 | 83 | 2 | 8 | 37 | 6.5 |
| TD2567F,TD2557F | 102 | 120 | 94 | 2.5 | 7 | 37 | 6.5 |

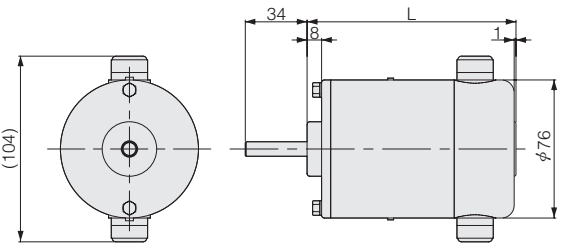
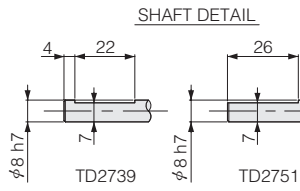
| Part No. | Voltage | Torque | | Current Amp | Speed r/min | Output Watts | Duty | Length-L | Mass |
|---|---------|--------|------|----------------|----------------|-----------------|-------|---|------|
| | | kgf·cm | mN·m | | | | | mm | kg |
| TD2471 TD3217F TD3080F TD2567F | 12 | 2.7 | 265 | 5.4 | 1600 | 44 | Cont. | TD2471 : 115 TD3217F : 112.5 TD3080F : 112 TD2567F : 112 | 1.3 |
| | | | | 6.0 | 1800 | 50 | | | |
| | | | | 6.7 | 2000 | 55 | | | |
| | | 7.4 | 2200 | 61 | | | | | |
| | | 7.8 | 2650 | 65 | | | | | |
| | | 9.4 | 3200 | 79 | | | | | |
| | 9.8 | 3400 | 84 | | | | | | |
| | 24 | 2.7 | 265 | 2.7 | 1600 | 44 | | | |
| | | | | 3.0 | 1800 | 50 | | | |
| | | | | 3.4 | 2000 | 55 | | | |
| | | 3.7 | 2200 | 61 | | | | | |
| | | 3.9 | 2650 | 65 | | | | | |
| 4.7 | | 3200 | 79 | | | | | | |
| 4.9 | 3400 | 84 | | | | | | | |
| TD2440 TD3218F TD3081F TD2557F | 12 | 3.5 | 343 | 6.4 | 1500 | 54 | Cont. | TD2440 : 125 TD3218F : 122.5 TD3081F : 122 TD2557F : 122 | 1.6 |
| | | | | 7.3 | 1700 | 61 | | | |
| | | | | 8.3 | 1950 | 70 | | | |
| | | 8.9 | 2300 | 76 | | | | | |
| | | 9.8 | 2550 | 84 | | | | | |
| | | 10.6 | 2750 | 90 | | | | | |
| | 24 | 3.5 | 343 | 3.2 | 1500 | 54 | | | |
| | | | | 3.7 | 1700 | 61 | | | |
| | | | | 4.2 | 1950 | 70 | | | |
| | | 4.5 | 2300 | 76 | | | | | |
| | | 4.9 | 2550 | 84 | | | | | |
| | | 5.3 | 2750 | 90 | | | | | |

ブレーキ付の製品も製作致します。

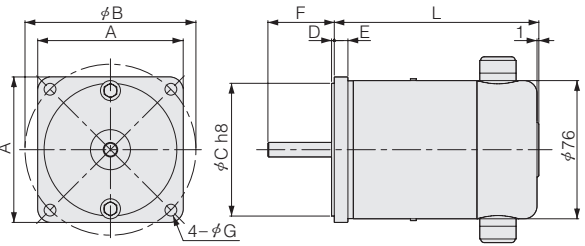
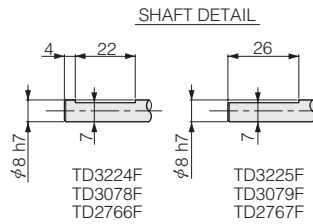
We produce the product which built in electromagnetic brakes.

D.C. MOTOR

TD2739 • TD2751



TD3224F • TD3078F • TD2766F TD3225F • TD3079F • TD2767F



| Part No. | A | B | C | D | E | F | G |
|-----------------|-----|-----|----|-----|-----|------|-----|
| TD3224F,TD3225F | 80 | 94 | 73 | 1.5 | 7.5 | 36.5 | 5.5 |
| TD3078F,TD3079F | 90 | 104 | 83 | 2 | 8 | 37 | 6.5 |
| TD2766F,TD2767F | 102 | 120 | 94 | 2.5 | 7 | 37 | 6.5 |

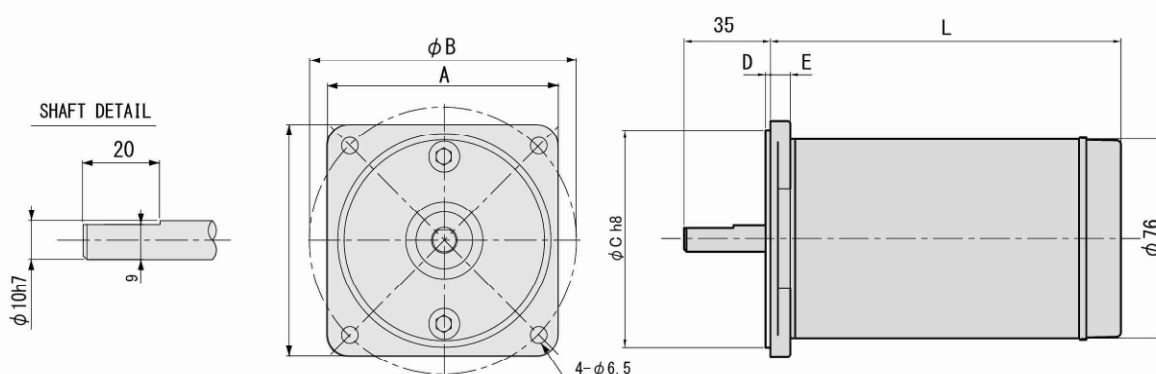
| Part No. | Voltage | Torque | | Current Amp | Speed r/min | Output Watts | Duty | Length-L | Mass |
|---|---------|--------|------|----------------|----------------|-----------------|-------|---|------|
| | | kgf·cm | mN·m | | | | | mm | kg |
| TD2739 TD3224F TD3078F TD2766F | 12 | 2.7 | 265 | 5.4 | 1600 | 44 | Cont. | TD2739 : 114 TD3224F : 112.5 TD3078F : 112 TD2766F : 112 | 1.4 |
| | | | | 6.0 | 1800 | 50 | | | |
| | | | | 6.7 | 2000 | 55 | | | |
| | | 7.4 | 2200 | 61 | | | | | |
| | | 7.8 | 2650 | 65 | | | | | |
| | | 9.4 | 3200 | 79 | | | | | |
| | 24 | 2.7 | 265 | 2.7 | 1600 | 44 | | | |
| | | | | 3.0 | 1800 | 50 | | | |
| | | | | 3.4 | 2000 | 55 | | | |
| | | | | 3.7 | 2200 | 61 | | | |
| | | 2.4 | 235 | 3.9 | 2650 | 65 | | | |
| | | | | 4.7 | 3200 | 79 | | | |
| | | | | 4.9 | 3400 | 84 | | | |
| | | | | | | | | | |
| TD2751 TD3225F TD3079F TD2767F | 12 | 3.5 | 343 | 6.4 | 1500 | 54 | Cont. | TD2751 : 124 TD3225F : 122.5 TD3079F : 122 TD2767F : 122 | 1.7 |
| | | | | 7.3 | 1700 | 61 | | | |
| | | | | 8.3 | 1950 | 70 | | | |
| | | 8.9 | 2300 | 76 | | | | | |
| | | 9.8 | 2550 | 84 | | | | | |
| | | 10.6 | 2750 | 90 | | | | | |
| | 24 | 3.5 | 343 | 3.2 | 1500 | 54 | | | |
| | | | | 3.7 | 1700 | 61 | | | |
| | | | | 4.2 | 1950 | 70 | | | |
| | | | | 4.5 | 2300 | 76 | | | |
| | | 3.2 | 314 | 4.9 | 2550 | 84 | | | |
| | | | | 5.3 | 2750 | 90 | | | |
| | | | | | | | | | |
| | | | | | | | | | |

D.C. MOTOR

TD3435F · TD3436F 




| Part No. | A | B | C | D | E |
|----------|-----|-----|----|-----|---|
| TD 3435F | 90 | 104 | 83 | 2.0 | 8 |
| TD 3436F | 102 | 120 | 94 | 2.5 | 7 |



| Part No. | Voltage | Torque | | Current Amp | Speed r/min | Output Watts | Duty | Length-L mm | Mass kg |
|----------|---------|--------|------|----------------|----------------|-----------------|-------|----------------|------------|
| | | kgf·cm | mN·m | | | | | | |
| TD3435F | 12 | 4.5 | 441 | 8.1 | 1600 | 74 | Cont. | 142 | 1.85 |
| | | | | 8.9 | 1800 | 83 | | | |
| | | | | 10.1 | 2000 | 92 | | | |
| | | | | 11.9 | 2400 | 111 | | | |
| | | | | 12.8 | 2600 | 120 | | | |
| TD3436F | 24 | 4.5 | 441 | 4.0 | 1600 | 74 | Cont. | 142 | 1.85 |
| | | | | 4.4 | 1800 | 83 | | | |
| | | | | 5.0 | 2000 | 92 | | | |
| | | | | 5.9 | 2400 | 111 | | | |
| | | | | 6.4 | 2600 | 120 | | | |

ブレーキ付の製品も製作致します。

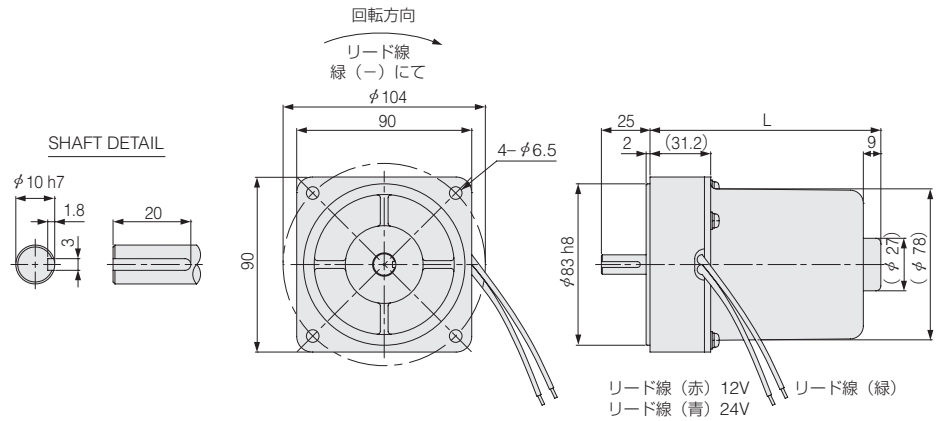
We produce the product which built in electromagnetic brakes.

 量産対応品です。数量については別途ご相談ください。

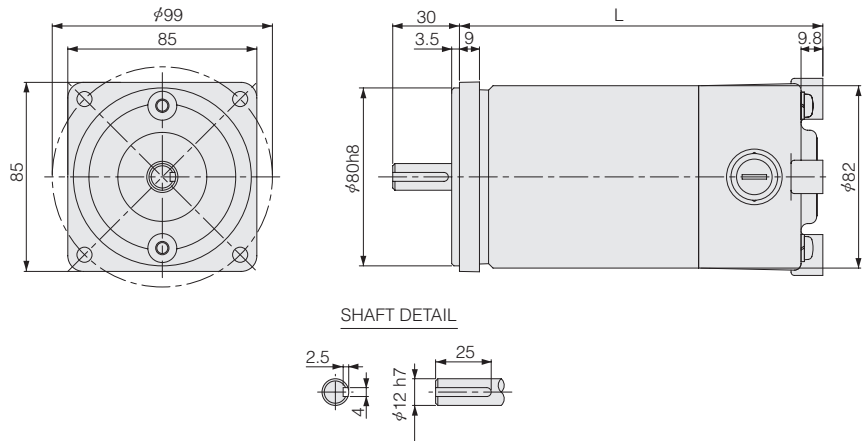
MP=Mass Production type. Please give us an inquiry about minimum quantity.

D.C. MOTOR

M76A



M7268 • M7269



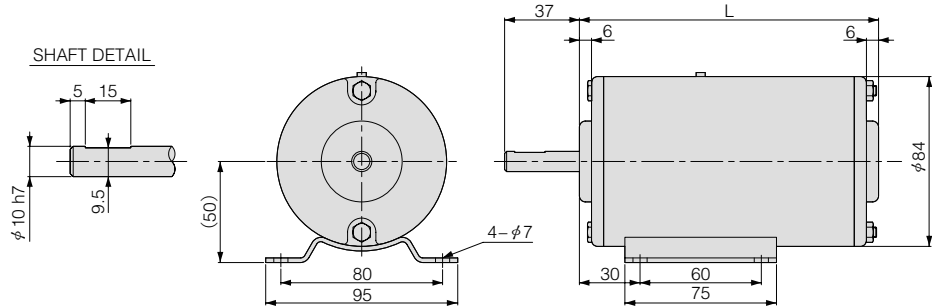
| Part No. | Voltage | Torque | | Current Amp | Speed r/min | Output Watts | Duty | Length-L | Mass | | |
|----------|---------|--------|------|----------------|----------------|-----------------|-------|----------|------|-------|-----|
| | | kgf·cm | mN·m | | | | | mm | kg | | |
| M76A | 12 | 2 | 196 | 5.0 | 2000 | 40 | Cont. | 119 | 1.7 | | |
| | | 3 | 294 | 6.5 | | 60 | | | 1.9 | | |
| | | 5 | 490 | 12.0 | | 100 | 1hr | 139 | 2.3 | | |
| | 24 | 2 | 196 | 2.5 | | 40 | Cont. | 119 | 1.7 | | |
| | | 3 | 294 | 3.5 | | 60 | | | 1.9 | | |
| | | 5 | 490 | 5.8 | | 100 | | | 139 | 2.3 | |
| M7268 | 100 | 4.5 | 441 | 1.1 | 2000 | 92 | Cont. | 163.4 | 3.0 | | |
| | 200 | | | 0.6 | | | | | | | |
| M7269 | 100 | 5.5 | 539 | 1.4 | | 113 | | | | 183.4 | 3.6 |
| | 200 | | | 0.7 | | | | | | | |

量産対応品です。数量については別途ご相談ください。

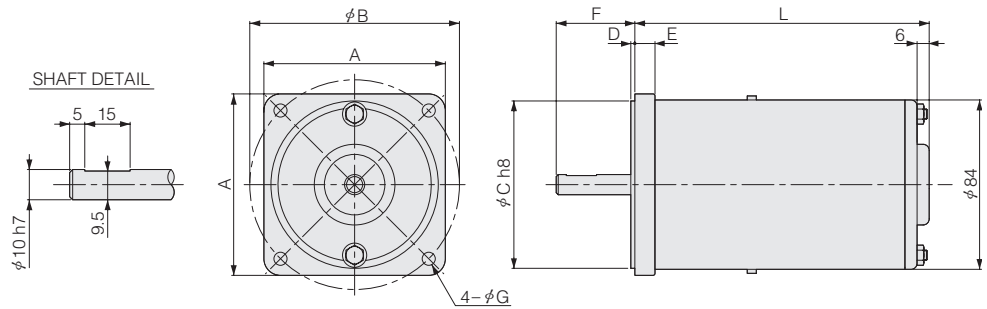
MP=Mass Production type. Please give us an inquiry about minimum quantity.

D.C. MOTOR

TD2542



TD2542FA • TD2631F TD2542F • TD2568F



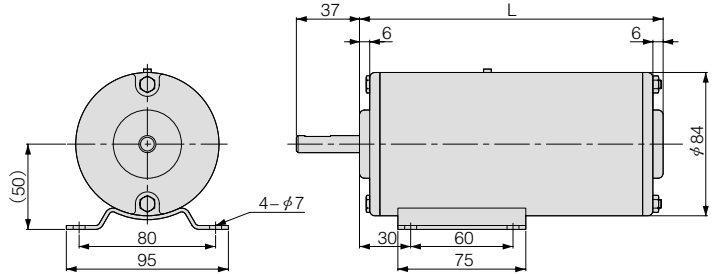
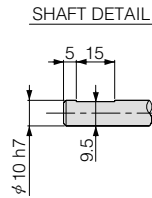
| Part No. | A | B | C | D | E | F | G |
|----------|-----|-----|-----|-----|----|----|-----|
| TD2542FA | 84 | 99 | 80 | 2.5 | 7 | 39 | 6.8 |
| TD2631F | 90 | 104 | 83 | 2 | 10 | 39 | 6.5 |
| TD2542F | 102 | 120 | 94 | 2.5 | 7 | 39 | 6.5 |
| TD2568F | 124 | 146 | 114 | 2.5 | 10 | 38 | 9 |

| Part No. | Voltage | Torque | | Current Amp | Speed r/min | Output Watts | Duty | Length-L | Mass |
|---|---------|--------|------|----------------|----------------|-----------------|-------|--|---------|
| | | kgf·cm | mN·m | | | | | mm | kg |
| TD2542 TD2542FA TD2631F TD2542F TD2568F | 12 | 4.5 | 441 | 6.5 | 1200 | 55 | Cont. | TD2542 :148 TD2542FA :146 TD2631F :146 TD2542F :146 TD2568F :147 | 2.6~3.0 |
| | | | | 7.2 | 1350 | 62 | | | |
| | | | | 8.4 | 1600 | 74 | | | |
| | | | | 10.4 | 2000 | 92 | | | |
| | | | | 12.0 | 2300 | 106 | | | |
| | | | | 13.9 | 2700 | 125 | | | |
| | 24 | | | 3.3 | 1200 | 55 | | | |
| | | | | 3.6 | 1350 | 62 | | | |
| | | | | 4.2 | 1600 | 74 | | | |
| | | | | 5.2 | 2000 | 92 | | | |
| | | | | 6.0 | 2300 | 106 | | | |
| | | | | 7.0 | 2700 | 125 | | | |
| | | | | 8.5 | 3300 | 153 | | | |
| | | | | 8.5 | 3300 | 153 | | | |

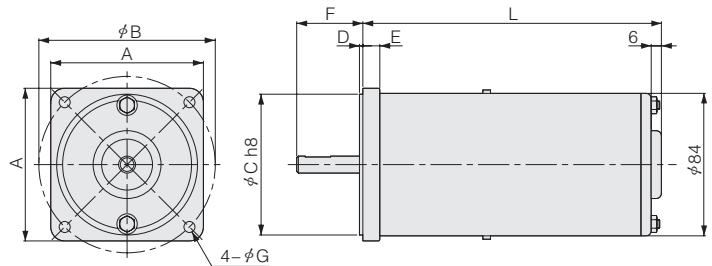
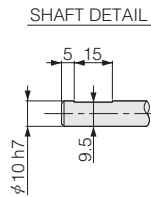
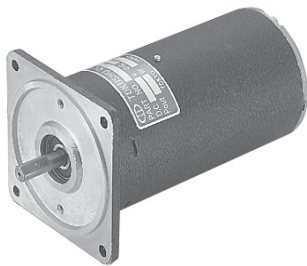
定格電圧が48Vまたは、100Vの製品もあります。その他の電圧の製品もご希望により製作致します。また、ブレーキ付の製品も製作致します。
Motors of rated voltages of 48V and 100V have been produced for sale. Also, motors of other various rated voltage can be produced per your technical specifications. And we produce the product which built in electromagnetic brakes.

D.C. MOTOR

TD2531



TD2531FA • TD2632F TD2531F • TD2558F



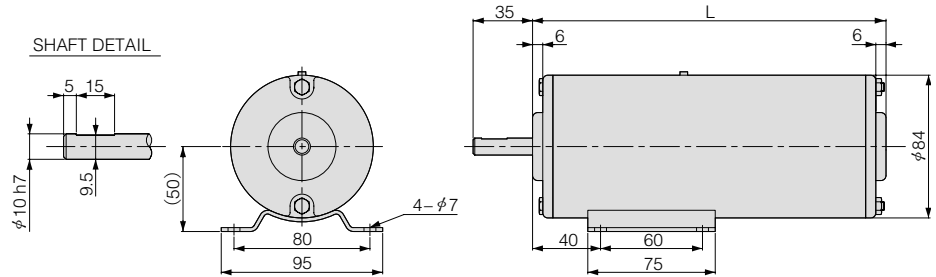
| Part No. | A | B | C | D | E | F | G |
|----------|-----|-----|-----|-----|----|----|-----|
| TD2531FA | 84 | 99 | 80 | 2.5 | 7 | 39 | 6.5 |
| TD2632F | 90 | 104 | 83 | 2.0 | 10 | 39 | 6.5 |
| TD2531F | 102 | 120 | 94 | 2.5 | 7 | 39 | 6.5 |
| TD2558F | 124 | 146 | 114 | 2.5 | 10 | 38 | 9.0 |

| Part No. | Voltage | Torque | | Current Amp | Speed r/min | Output Watts | Duty | Length-L mm | Mass kg |
|---|---------|--------|------|----------------|----------------|-----------------|-------|---|------------|
| | | kgf·cm | mN·m | | | | | | |
| TD2531 TD2531FA TD2632F TD2531F TD2558F | 12 | 7 | 686 | 8.6 | 1100 | 79 | Cont. | TD2531 : 178 TD2531FA : 176 TD2632F : 176 TD2531F : 176 TD2558F : 177 | 3.4~3.8 |
| | | | | 10.4 | 1350 | 97 | | | |
| | | | | 11.9 | 1550 | 111 | | | |
| | | | | 14.0 | 1850 | 133 | | | |
| | | | | 17.4 | 2300 | 165 | | | |
| | | | | 20.0 | 2750 | 198 | | | |
| | 24 | 7 | 686 | 4.3 | 1100 | 79 | | | |
| | | | | 5.2 | 1350 | 97 | | | |
| | | | | 5.9 | 1550 | 111 | | | |
| | | | | 7.0 | 1850 | 133 | | | |
| | | | | 8.7 | 2300 | 165 | | | |
| | | | | 10.0 | 2750 | 198 | | | |

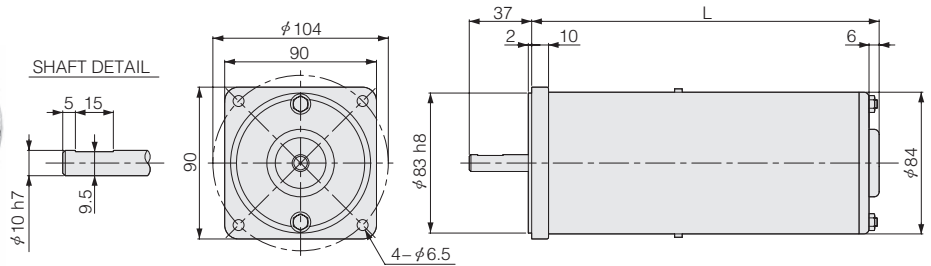
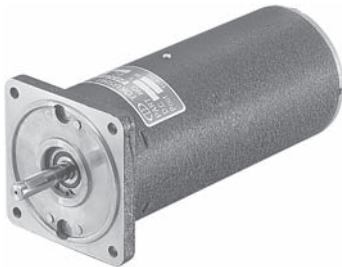
定格電圧が48Vまたは、100Vの製品もあります。その他の電圧の製品もご希望により製作致します。また、ブレーキ付の製品も製作致します。
Motors of rated voltages of 48V and 100V have been produced for sale. Also, motors of other various rated voltage can be produced per your technical specifications. And we produce the product which built in electromagnetic brakes.

D.C. MOTOR

TD2636



TD2636F



| Part No. | Voltage | Torque | | Current Amp | Speed r/min | Output Watts | Duty | Length-L (mm) | | Mass kg |
|-------------------|---------|--------|------|----------------|----------------|-----------------|-------|---------------|---------|------------|
| | | kgf·cm | mN·m | | | | | TD2636 | TD2636F | |
| TD2636 TD2636F | 24 | 9.5 | 932 | 6.1 | 1200 | 117 | 1hr | 208 | 206 | 4.3~4.7 |
| | | | | 8.0 | 1600 | 156 | | | | |
| | | | | 9.9 | 2000 | 195 | | | | |
| | | | | 12.0 | 2500 | 244 | | | | |
| | | | | 14.5 | 3000 | 293 | | | | |
| | 48 | | | 3.0 | 1200 | 117 | 1/2hr | 208 | 206 | |
| | | | | 4.0 | 1600 | 156 | | | | |
| | | | | 4.9 | 2000 | 195 | | | | |
| | | | | 6.0 | 2500 | 244 | | | | |
| | | | | 7.3 | 3000 | 293 | | | | |

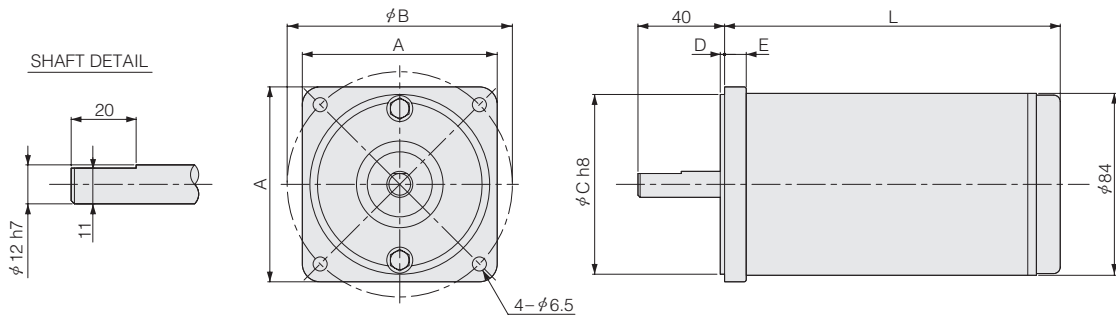
定格電圧が 100 V の製品もあります。その他の電圧の製品もご希望により製作致します。また、ブレーキ付の製品も製作致します。
Motors of rated voltages of 100V have been produced for sale. Also, motors of other various rated voltage can be produced per your technical specifications. And we produce the product which built in electromagnetic brakes.

D.C. MOTOR

TD3204F • TD3205F
TD3220F • TD3221F



| Part No. | A | B | C | D | E |
|------------------|-----|-----|----|-----|----|
| TD3204F, TD3220F | 90 | 104 | 83 | 2.0 | 10 |
| TD3205F, TD3221F | 102 | 120 | 94 | 2.5 | 7 |



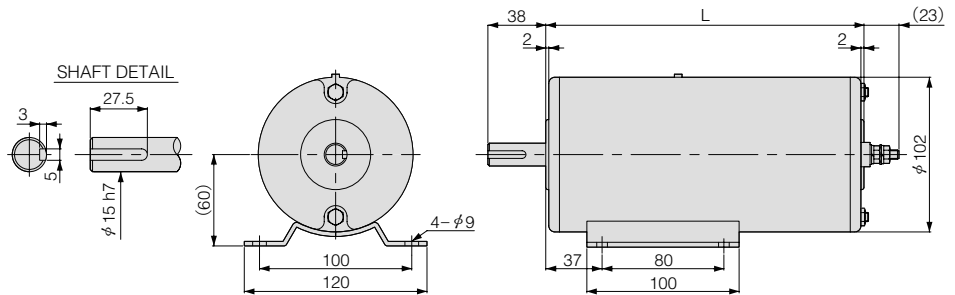
| Part No. | Voltage | Torque | | Current Amp | Speed r/min | Output Watts | Duty | Length-L mm | Mass kg |
|--------------------|---------|--------|------|----------------|----------------|-----------------|-------|----------------|------------|
| | | kgf·cm | mN·m | | | | | | |
| TD3204F TD3205F | 12 | 5.5 | 539 | 10.2 | 1750 | 99 | Cont. | 155 | 2.8 |
| | | | | 11.4 | 2000 | 113 | | | |
| | | | | 12.4 | 2200 | 124 | | | |
| | | | | 13.6 | 2400 | 136 | | | |
| | | | | 15.2 | 2650 | 150 | | | |
| | 24 | | | 5.1 | 1750 | 99 | Cont. | | |
| | | | | 5.7 | 2000 | 113 | | | |
| | | | | 6.2 | 2200 | 124 | | | |
| | | | | 6.8 | 2400 | 136 | | | |
| | | | | 7.6 | 2650 | 150 | | | |
| TD3220F TD3221F | 12 | 8.0 | 785 | 13.4 | 1650 | 136 | Cont. | 185 | 3.6 |
| | | | | 15.0 | 1850 | 152 | | | |
| | | | | 16.6 | 2050 | 168 | | | |
| | | | | 18.8 | 2300 | 189 | | | |
| | | | | 21.6 | 2650 | 218 | | | |
| | 24 | | | 6.7 | 1650 | 136 | Cont. | | |
| | | | | 7.5 | 1850 | 152 | | | |
| | | | | 8.3 | 2050 | 168 | | | |
| | | | | 9.4 | 2300 | 189 | | | |
| | | | | 10.8 | 2650 | 218 | | | |

ブレーキ付の製品も製作致します。

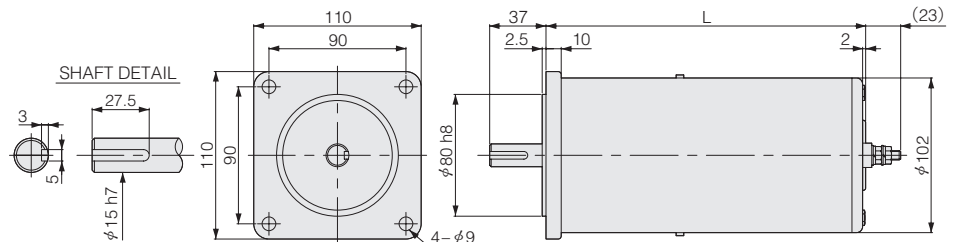
We produce the product which built in electromagnetic brakes.

D.C. MOTOR

TD2529



TD2529F

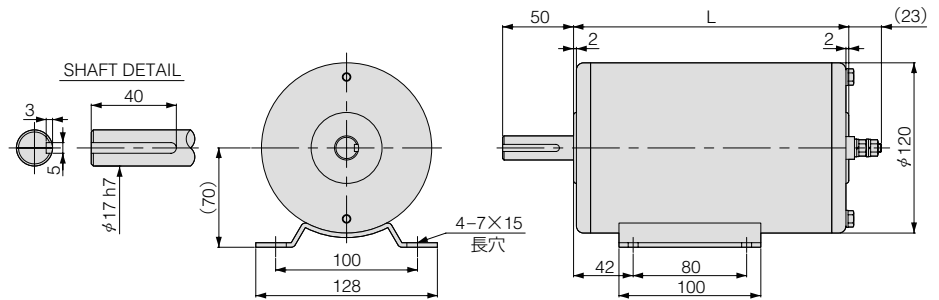


| Part No. | Voltage | Torque | | Current Amp | Speed r/min | Output Watts | Duty | Length-L (mm) | | Mass kg |
|-------------------|---------|--------|------|----------------|----------------|-----------------|-------|---------------|---------|------------|
| | | kgf·cm | N·m | | | | | TD2529 | TD2529F | |
| TD2529 TD2529F | 12 | 12 | 1.18 | 8.6 | 560 | 69 | Cont. | 209 | 210 | 6.8 |
| | | | | 9.7 | 630 | 78 | | | | |
| | | | | 10.5 | 700 | 86 | | | | |
| | | | | 12.5 | 850 | 105 | | | | |
| | | | | 15.0 | 1100 | 136 | | | | |
| | | | | 19.0 | 1350 | 166 | | | | |
| | 24.0 | | | 1750 | 216 | 1hr | | | | |
| | 7.8 | | | 1150 | 142 | Cont. | | | | |
| | 8.5 | | | 1270 | 157 | | | | | |
| | 9.5 | | | 1400 | 173 | | | | | |
| | 10.8 | | | 1550 | 191 | | | | | |
| | 12.8 | | | 1850 | 228 | | | | | |
| | 15.0 | | | 2300 | 283 | | | | | |
| | 17.5 | | | 2700 | 333 | 1hr | | | | |
| | 7.3 | | | 1600 | 197 | Cont. | | | | |
| | 8.0 | | | 1750 | 216 | | | | | |
| | 8.8 | | | 1950 | 240 | | | | | |
| | 10.0 | | | 2200 | 271 | | | | | |
| 10.8 | 2500 | 308 | | | | | | | | |
| 12.8 | 3000 | 370 | | | | | | | | |
| 15.0 | 3800 | 468 | 1hr | | | | | | | |

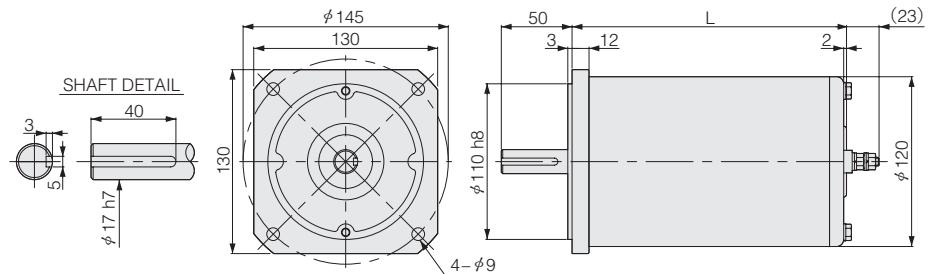
定格電圧が48Vまたは、100Vの製品もあります。その他の電圧の製品もご希望により製作致します。また、ブレーキ付の製品も製作致します。
Motors of rated voltages of 48V and 100V have been produced for sale. Also, motors of other various rated voltage can be produced per your technical specifications. And we produce the product which built in electromagnetic brakes.

D.C. MOTOR

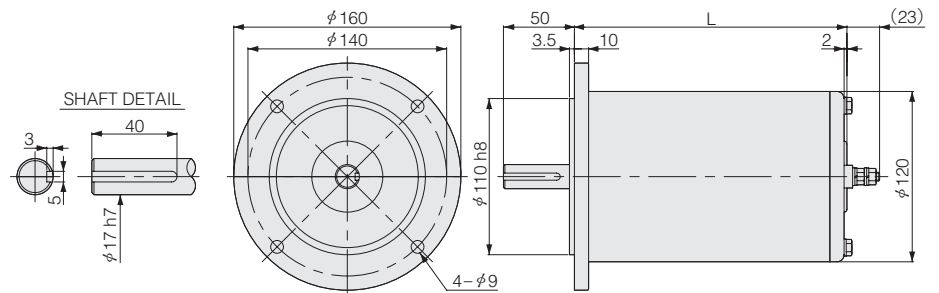
TD3197 • TD3200



TD3198F • TD3201F



TD3199F • TD3202F

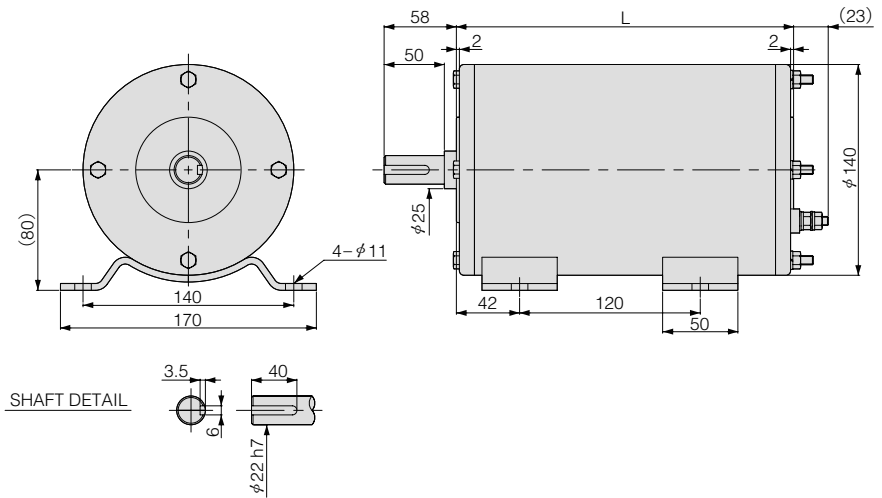


| Part No. | Voltage | Torque | | Current Amp | Speed r/min | Output Watts | Duty | Length-L | Mass |
|------------------------------|---------|--------|------|----------------|----------------|-----------------|-------|--|------|
| | | kgf·cm | N·m | | | | | mm | kg |
| TD3197 TD3198F TD3199F | -200 | 14 | 1.37 | 11.5 | 1600 | 230 | Cont. | TD3197 : 194 TD3198F : 194 TD3199F : 192 | 9 |
| | -201 | | | 13.5 | 1850 | 266 | | | |
| | -202 | | | 15.0 | 2000 | 288 | | | |
| | -203 | | | 16.5 | 2200 | 316 | | | |
| | -204 | | | 19.0 | 2550 | 367 | | | |
| TD3200 TD3201F TD3202F | -200 | 20 | 1.96 | 14.2 | 1350 | 277 | Cont. | TD3200 : 224 TD3201F : 224 TD3202F : 222 | 11 |
| | -201 | | | 15.6 | 1500 | 308 | | | |
| | -202 | | | 17.5 | 1700 | 349 | | | |
| | -203 | | | 20.6 | 2000 | 411 | | | |
| | -204 | | | 24.0 | 2350 | 483 | | | |

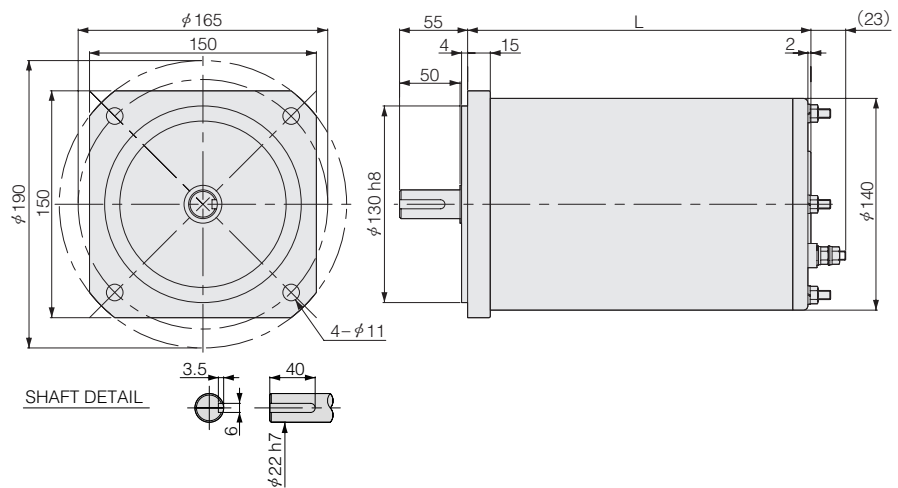
定格電圧が48Vまたは、100Vの製品もあります。その他の電圧の製品もご希望により製作致します。また、ブレーキ付の製品も製作致します。
Motors of rated voltages of 48V and 100V have been produced for sale. Also, motors of other various rated voltage can be produced per your technical specifications. And we produce the product which built in electromagnetic brakes.

D.C. MOTOR

TD2649



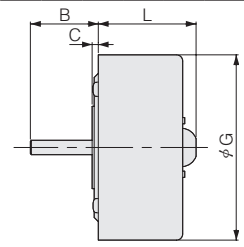
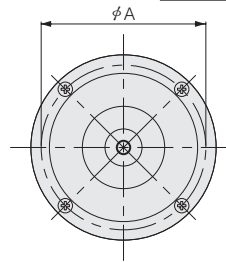
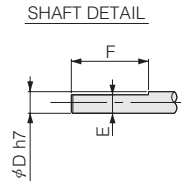
TD2649F



| Part No. | Voltage | Torque | | Current Amp | Speed r/min | OutPut Watts | Duty | Length-L | Mass |
|-------------------|---------|--------|------|----------------|----------------|-----------------|-------|-------------------------------|------|
| | | kgf·cm | N·m | | | | | mm | kg |
| TD2649 TD2649F | -401 | 40 | 3.92 | 21.4 | 1000 | 411 | Cont. | TD2649 : 289 TD2649F : 292 | 18.1 |
| | -404 | | | 25.7 | 1200 | 493 | | | |
| | -407 | | | 42.5 | 2000 | 822 | 1hr | | |
| | -408 | | | | | | | | |

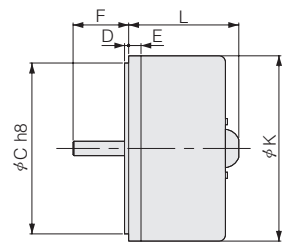
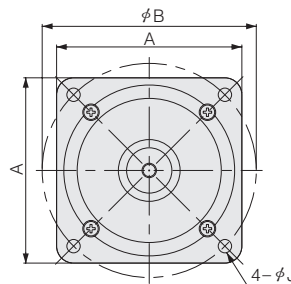
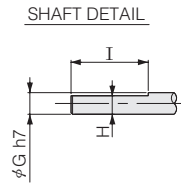
D.C. FLAT MOTOR

TD2719M • TD2733M • TD2409M



| Part No. | A | B | C | D | E | F | G |
|----------|-----|----|-----|----|-----|----|-------|
| TD2719M | 80 | 33 | 2.8 | 7 | 6.5 | 25 | 90 |
| TD2733M | 90 | 31 | 2.8 | 8 | 7 | 25 | 100.6 |
| TD2409M | 100 | 38 | 3 | 10 | 9 | 25 | 113.2 |

TD2755F • TD2756F • TD2757F



| Part No. | A | B | C | D | E | F | G | H | I | J | K |
|----------|-----|-----|-----|---|-----|----|----|-----|----|-----|-------|
| TD2755F | 90 | 104 | 83 | 2 | 6 | 27 | 7 | 6.5 | 25 | 6.5 | 90 |
| TD2756F | 102 | 120 | 94 | 2 | 5.8 | 27 | 8 | 7 | 25 | 6.5 | 100.6 |
| TD2757F | 124 | 146 | 114 | 2 | 5.8 | 34 | 10 | 9 | 25 | 9 | 113.2 |

注) TD2755F, TD2719M, TD2757F, TD2409M は、回転方向が一方 (右回転) のみの仕様となっております。

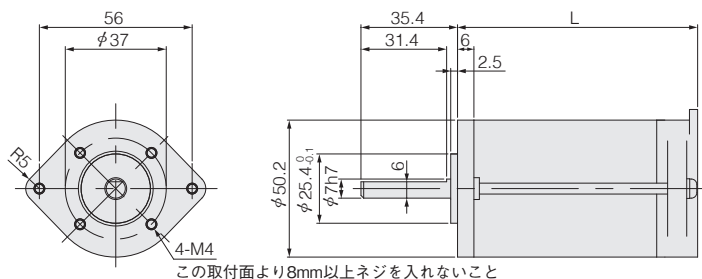
| Part No. | Voltage | Torque | | Current Amp | Speed r/min | Output Watts | Duty | Length-L mm | Mass kg | |
|--------------------|---------|--------|------|----------------|----------------|-----------------|-------|----------------------------------|------------|-------|
| | | kgf·cm | mN·m | | | | | | | |
| TD2755F TD2719M | 12 | 1.7 | 167 | 3.8 | 1500 | 26 | Cont. | TD2755F : 53.5 TD2719M : 47.5 | 0.95 | |
| | | | | 4.4 | 1750 | 31 | | | | |
| | | | | 4.9 | 2000 | 35 | | | | |
| | | | | 6.1 | 2500 | 44 | | | | |
| | | | | 7.2 | 3000 | 52 | | | | |
| | 24 | | | 1.9 | 1500 | 26 | Cont. | | | |
| | | | | 2.2 | 1750 | 31 | | | | |
| | | | | 2.5 | 2000 | 35 | | | | |
| | | | | 3.0 | 2500 | 44 | | | | |
| | | | | 3.6 | 3000 | 52 | | | | 1/2hr |
| TD2756F TD2733M | 12 | 2.5 | 245 | 5.5 | 1500 | 39 | Cont. | TD2756F : 59.3 TD2733M : 53.3 | 1.3 | |
| | | | | 6.3 | 1750 | 45 | | | | |
| | | | | 7.1 | 2000 | 51 | | | | |
| | | | | 8.8 | 2500 | 64 | | | | |
| | | | | 10.4 | 3000 | 77 | | | | 1/2hr |
| | 24 | | | 2.8 | 1500 | 39 | Cont. | | | |
| | | | | 3.2 | 1750 | 45 | | | | |
| | | | | 3.5 | 2000 | 51 | | | | |
| | | | | 4.4 | 2500 | 64 | | | | |
| | | | | 5.2 | 3000 | 77 | | | | 1/2hr |
| TD2757F TD2409M | 12 | 3.0 | 294 | 7.3 | 1500 | 46 | Cont. | TD2757F : 55.6 TD2409M : 51.6 | 1.7 | |
| | | | | 8.3 | 1750 | 54 | | | | |
| | | | | 11.7 | 2300 | 71 | | | | |
| | | | | 13.8 | 2800 | 86 | | | | 1/4hr |
| | | | | 3.6 | 1500 | 46 | | | | Cont. |
| | 24 | | | 4.2 | 1750 | 54 | | | | |
| | | | | 5.8 | 2300 | 71 | | | | |
| | | | | 6.9 | 2800 | 86 | 1/4hr | | | |

※変動負荷及び起動トルクの大きい場合、お問合せの上お使い下さい。
In case the fluctuating load and start torque are large please ask us.

D.C. MOTOR (RARE EARTH-MAGNET MOTOR)

〈小型・高出力モータ〉

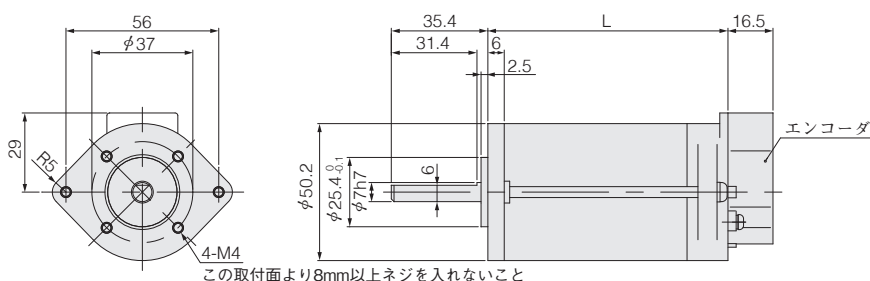
TD3388



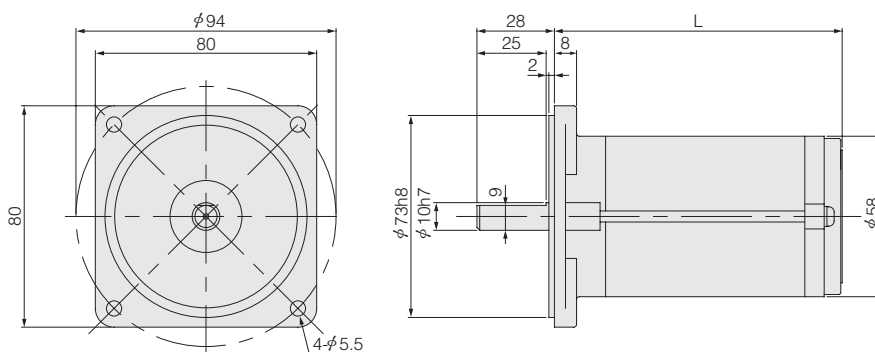
TD3389



●エンコーダ付きタイプ



TD3364



| Part No. | Voltage | Torque | | Current Amp | Speed r/min | Output Watts | Duty | Length-L mm | Mass kg |
|------------|---------|--------|------|----------------|----------------|-----------------|-------|----------------|------------|
| | | kgf·cm | mN·m | | | | | | |
| TD3388-240 | 24 | 1.5 | 147 | 2.3 | 2500 | 39 | Cont. | 88 | 0.7 |
| TD3389-240 | | | | | | | | | |
| TD3364-240 | 24 | 3.0 | 294 | 4.4 | 2500 | 77 | Cont. | 104 | 1.2 |

TD3389は光学式エンコーダ付 (A相、B相) です。パルス数は400pと1000pがございます。

量産対応品です。数量については別途ご相談ください。

Optical encoder (2 channels : A and B) is equipped to TD3389. Pulse-number type are 400P/R and 1000P/R.

MP=Mass Production type. Please give us an inquiry about minimum quantity.